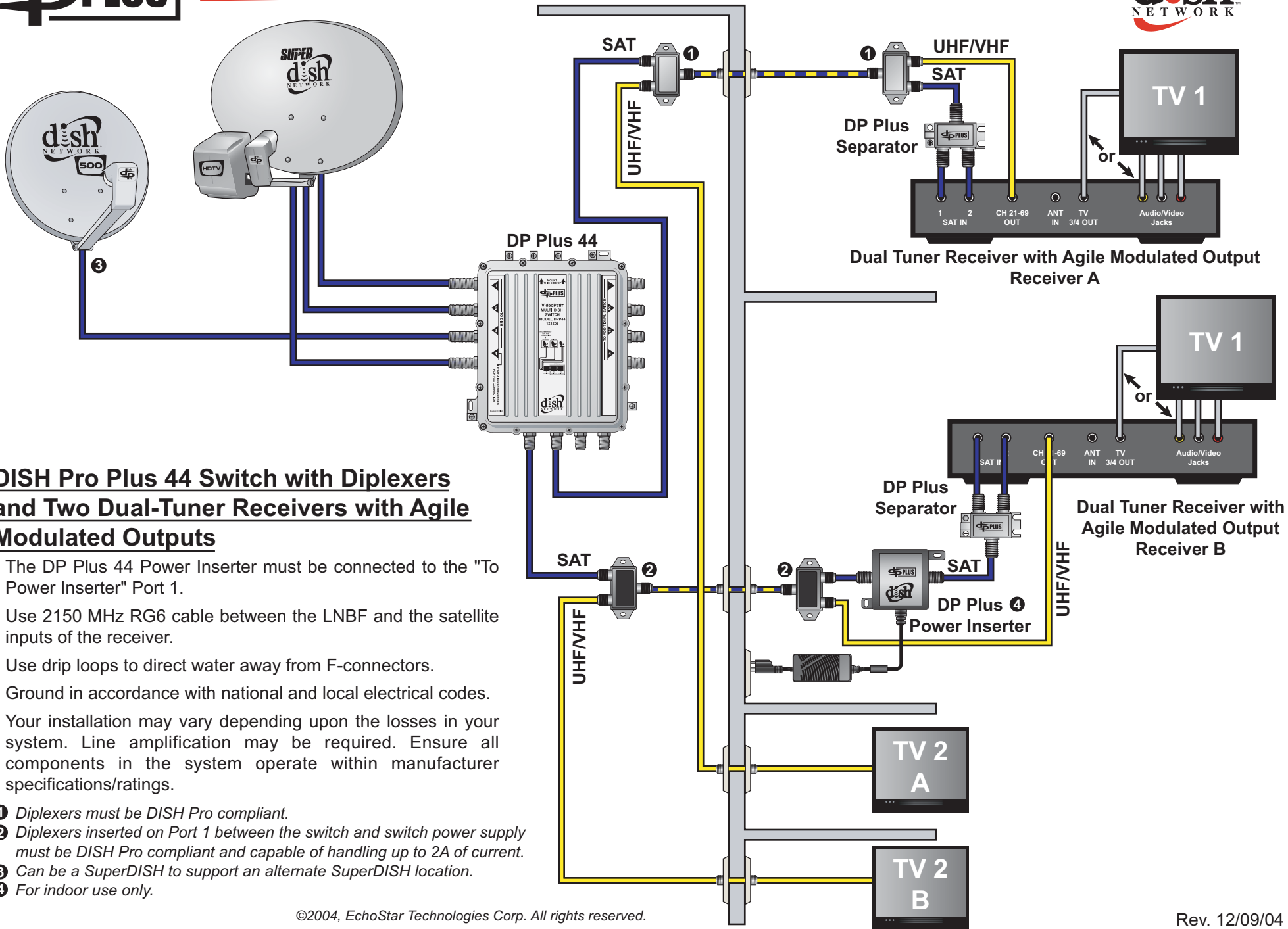




Distribution Example 12



DISH Pro Plus 44 Switch with Diplexers and Two Dual-Tuner Receivers with Agile Modulated Outputs

- The DP Plus 44 Power Inserter must be connected to the "To Power Inserter" Port 1.
- Use 2150 MHz RG6 cable between the LNBF and the satellite inputs of the receiver.
- Use drip loops to direct water away from F-connectors.
- Ground in accordance with national and local electrical codes.
- Your installation may vary depending upon the losses in your system. Line amplification may be required. Ensure all components in the system operate within manufacturer specifications/ratings.

- 1 Diplexers must be DISH Pro compliant.
- 2 Diplexers inserted on Port 1 between the switch and switch power supply must be DISH Pro compliant and capable of handling up to 2A of current.
- 3 Can be a SuperDISH to support an alternate SuperDISH location.
- 4 For indoor use only.