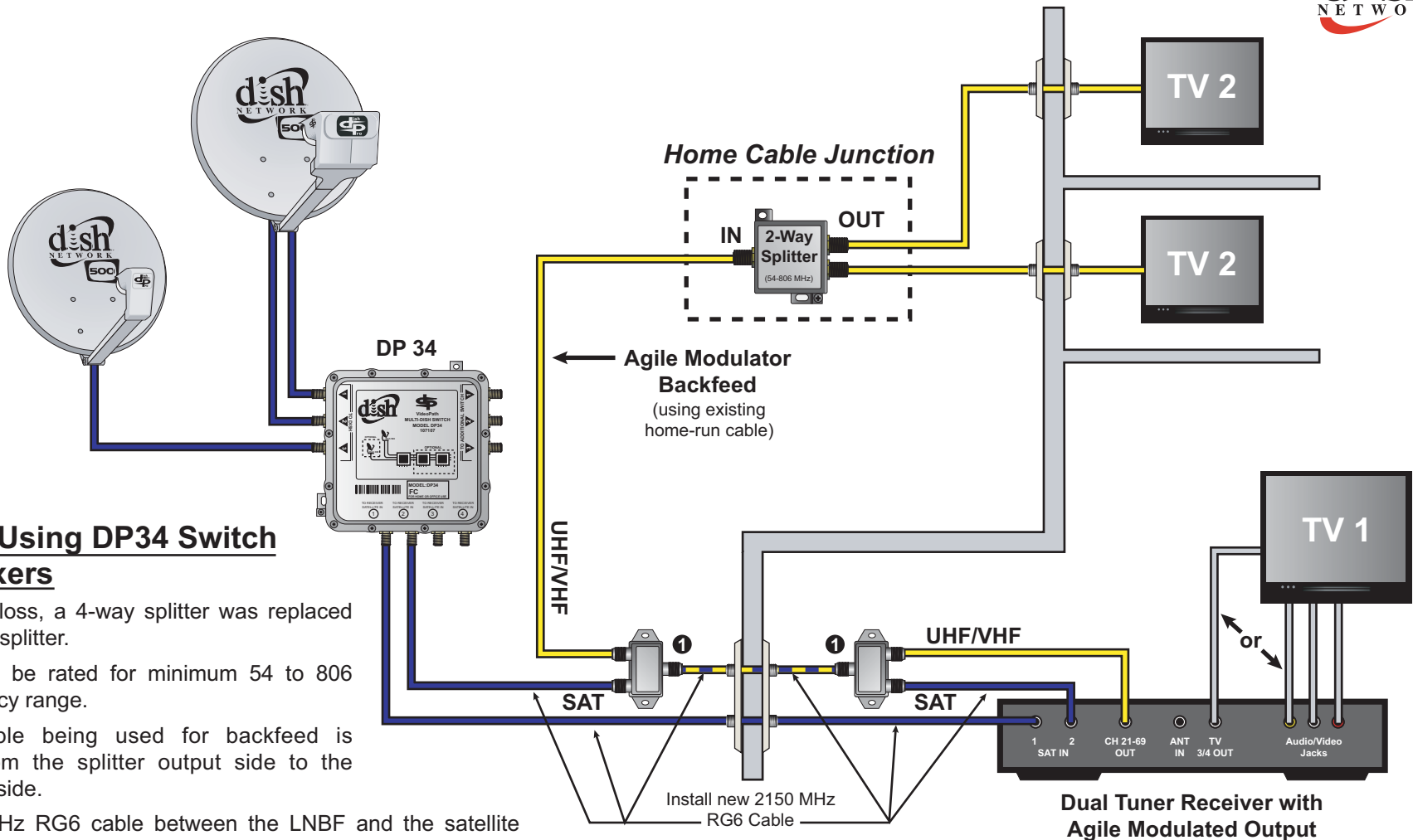




Distribution Example 3



Backfeed Using DP34 Switch and Diplexers

- To minimize loss, a 4-way splitter was replaced with a 2-way splitter.
- Splitter must be rated for minimum 54 to 806 MHz frequency range.
- Coaxial cable being used for backfeed is swapped from the splitter output side to the splitter input side.
- Use 2150 MHz RG6 cable between the LNBF and the satellite inputs of the receiver.
- Use drip loops to direct water away from F-connectors.
- Ground in accordance with national and local electrical codes.
- Unused splitter ports should be capped with 75 ohm terminators.
- Your installation may vary depending upon the losses in you system. Line amplification may be required. Ensure all components in the system operate within manufacturer specifications/ratings.

❶ Diplexers must be DISH Pro compliant.